

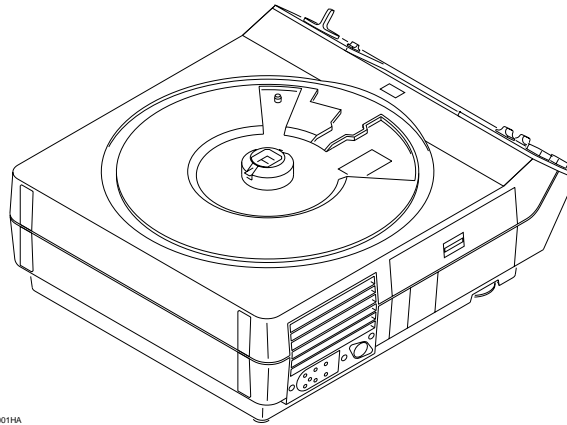


Confidential

Compliments of:  
[www.KodakParts.com](http://www.KodakParts.com)

Publication No. DI4530-1  
23JUL01

**DIAGRAMS**  
**for the**  
***Kodak Ektagraphic III A/AFT/AM/AMT/ATS PROJECTORS***  
***Kodak Ektagraphic III B/BR/E/ES PROJECTORS***  
***Kodak Ektagraphic III E PLUS PROJECTOR***  
***Kodak Ektagraphic III-J A/J AMT/J ATS/J B PROJECTORS***  
***Kodak Ektagraphic III-J E PLUS PROJECTOR***  
***Kodak Ektagraphic III-KK A PROJECTOR***  
***Kodak Ektagraphic III-KK E PLUS PROJECTOR***  
**Service Code: 4530** Painted and Non-Painted PROJECTORS



A100\_0001HA

**PLEASE NOTE**

The information contained herein is based on the experience and knowledge relating to the subject matter gained by Eastman Kodak Company prior to publication.

No patent license is granted by this information.

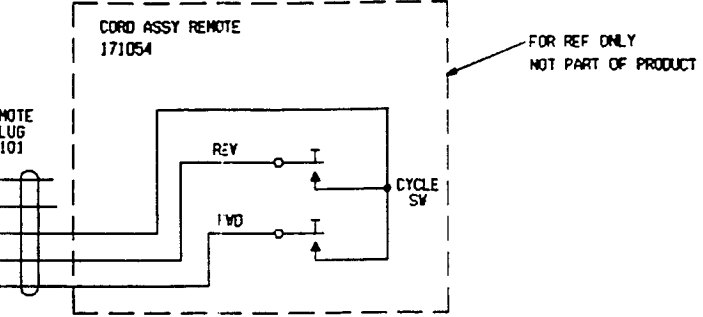
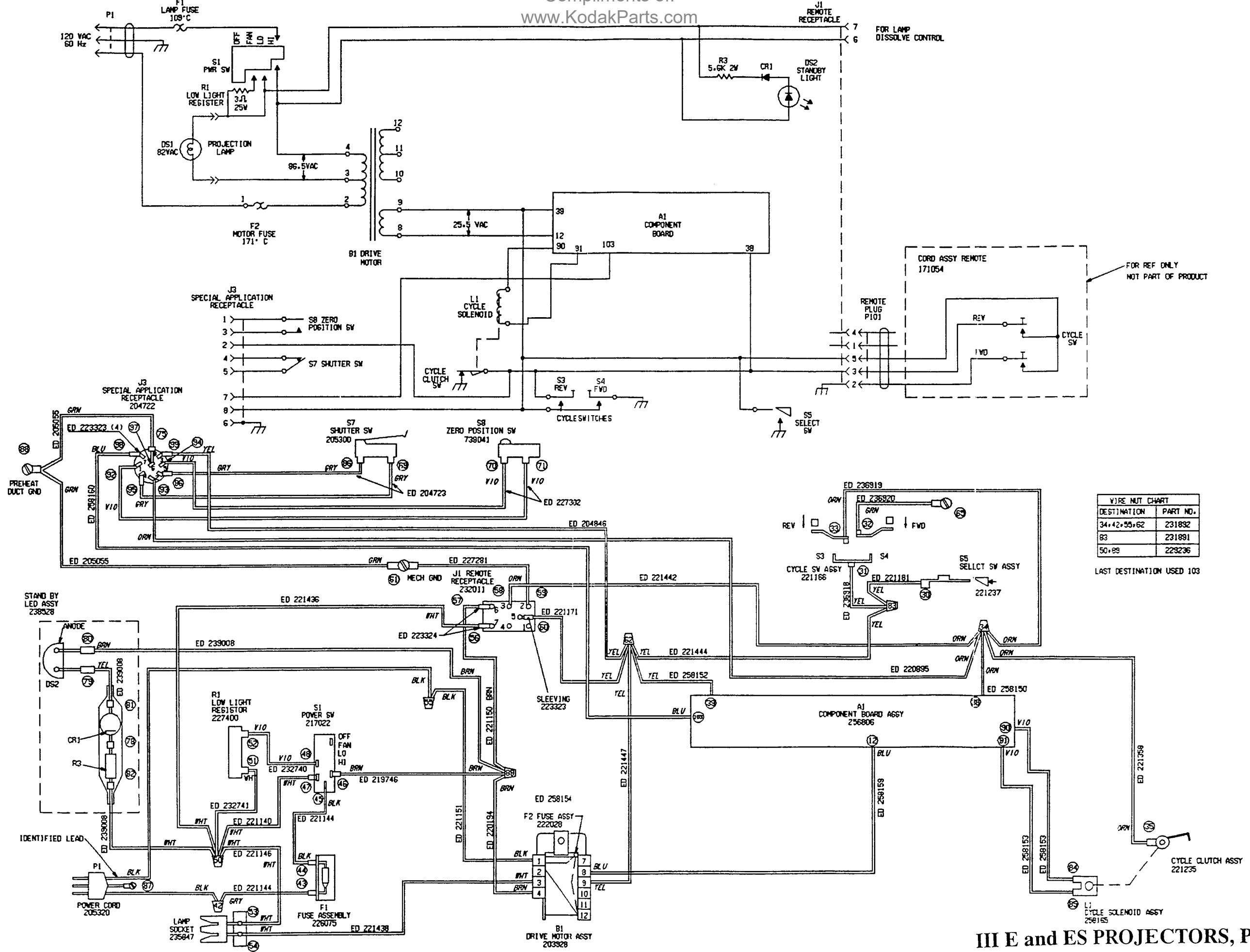
Eastman Kodak Company reserves the right to change this information without notice, and makes no warranty, express or implied, with respect to this information. Kodak shall not be liable for any loss or damage, including consequential or special damages, resulting from any use of this information, even if loss or damage is caused by Kodak's negligence or other fault.



This equipment includes parts and assemblies sensitive to damage from electrostatic discharge. Use caution to prevent damage during all service procedures.

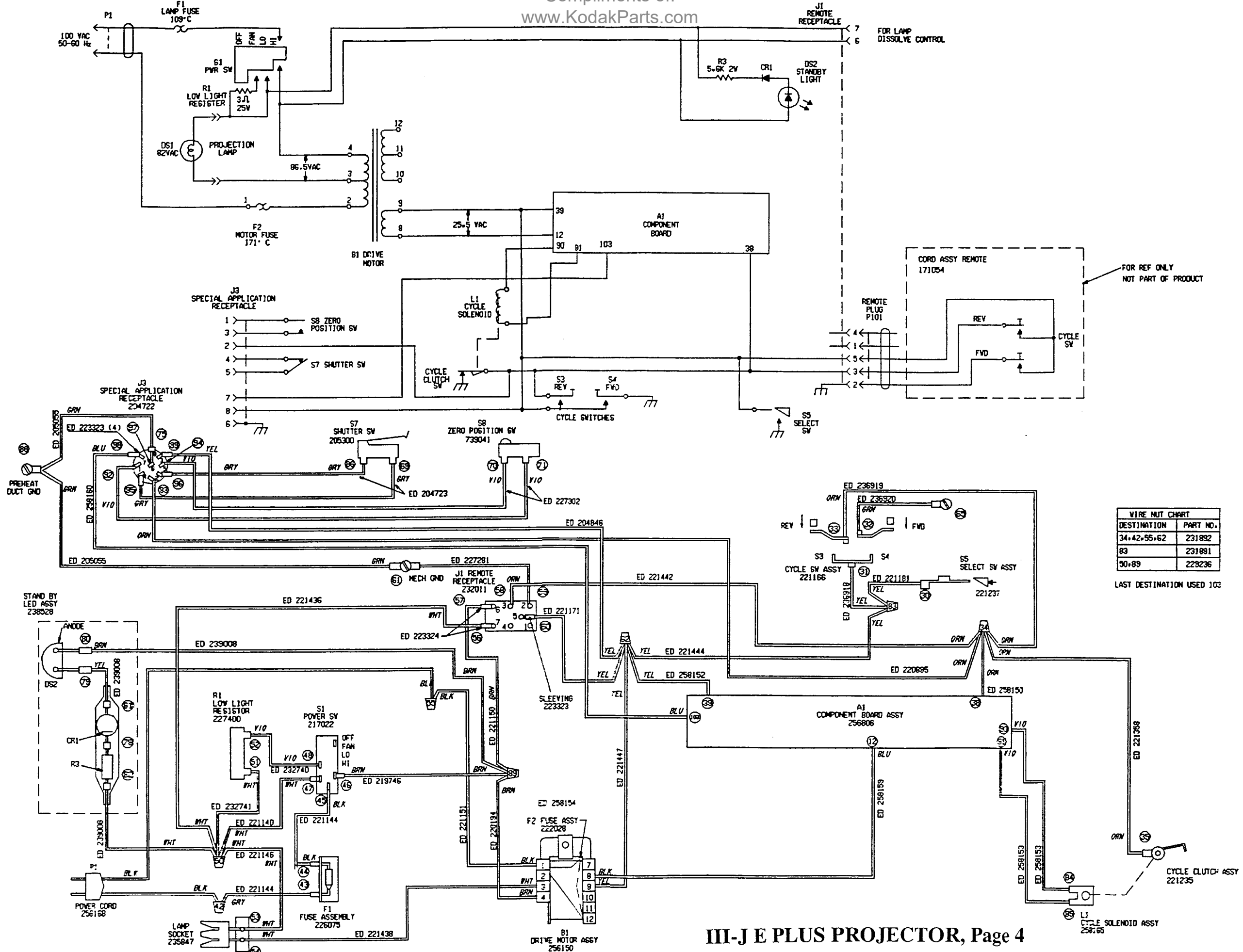
## Table of Contents

Description	Page
<b>Wiring Diagrams</b> .....	3
<b>III E/ES PROJECTORS</b> .....	3
<b>III-J E PLUS PROJECTOR</b> .....	4
<b>III B PROJECTOR</b> .....	5
<b>III-JB PROJECTOR</b> .....	6
<b>III BR PROJECTOR</b> .....	7
<b>III A PROJECTOR</b> .....	8
<b>III-J A PROJECTOR</b> .....	9
<b>III AM PROJECTOR</b> .....	10
<b>III ATS/AMT PROJECTORS</b> .....	11
<b>III-J ATS/J AMT PROJECTORS</b> .....	12
<b>III-KK A PROJECTOR</b> .....	13
<b>III-KK E PLUS PROJECTOR</b> .....	14
<b>Schematic Diagrams</b> .....	15
<b>III E/ES and III-J E PROJECTORS</b> .....	15
<b>III B and III-J B PROJECTORS</b> .....	16
<b>III BR PROJECTOR</b> .....	17
<b>III A and III-J A PROJECTORS</b> .....	18
<b>III AM PROJECTOR</b> .....	19
<b>III AT/AMT/ATS and III-J AMT/J ATS PROJECTORS</b> .....	20
<b>III AFT PROJECTOR</b> .....	21



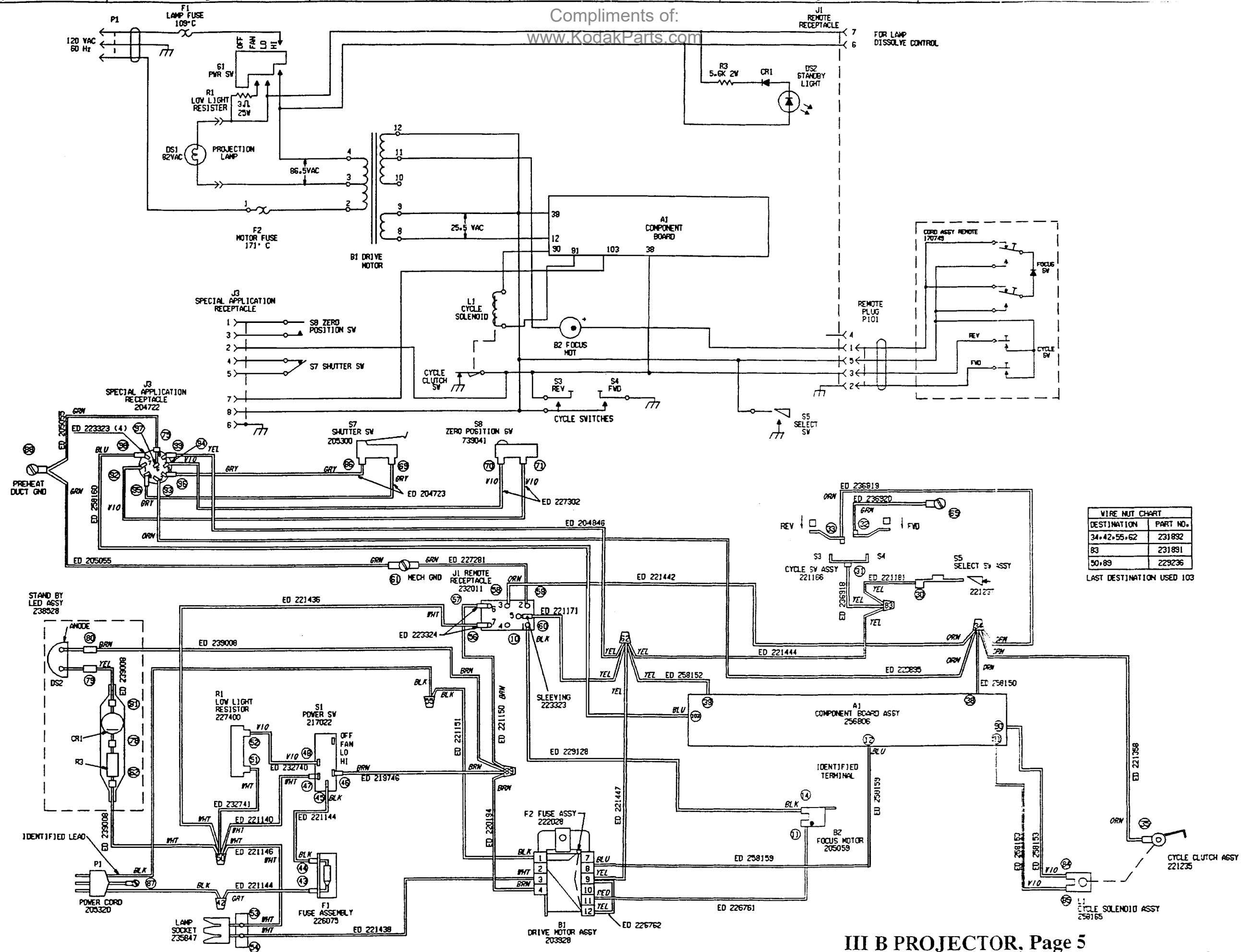
WIRE NUT CHART	
DESTINATION	PART NO.
34+42+55+62	231832
83	231891
50+89	229236

LAST DESTINATION USED 103



WIRE NUT CHART	
DESTINATION	PART NO.
34+42+55+62	231892
83	231891
90+89	229236

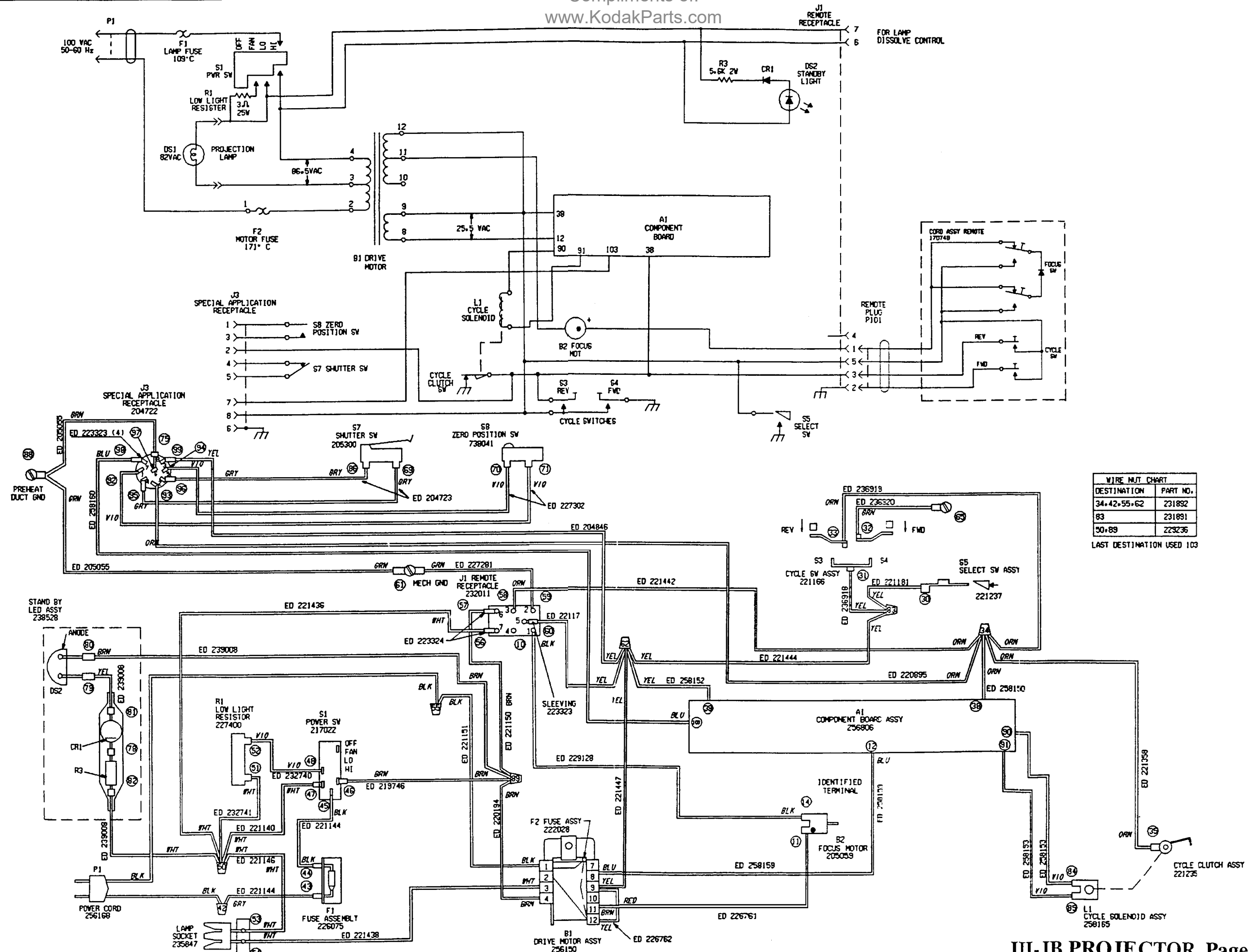
LAST DESTINATION USED 103



WIRE NUT CHART

DESTINATION	PART NO.
34+42+55+62	231832
83	231831
50+89	229236

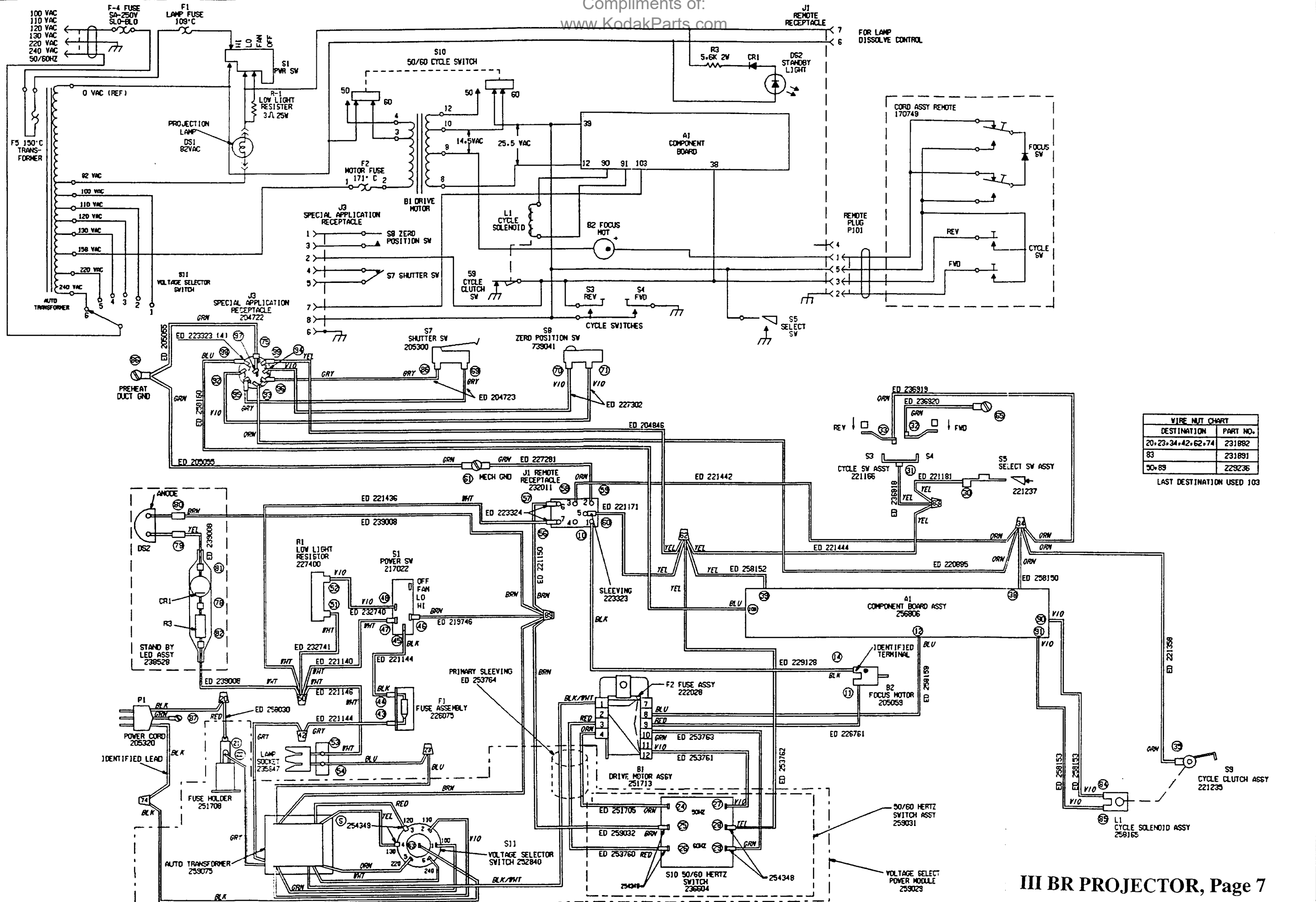
LAST DESTINATION USED 103



WIRE MGT CHART

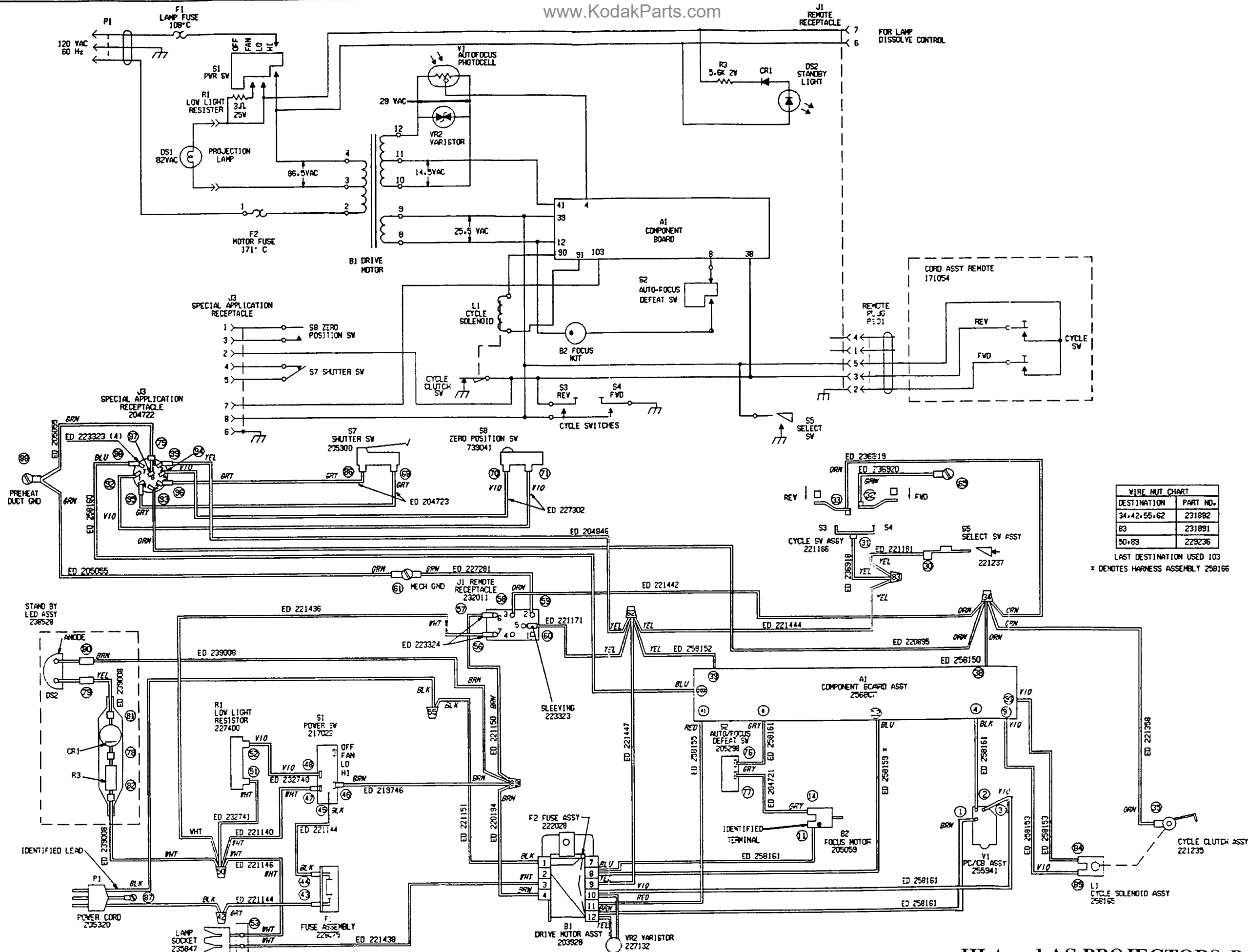
DESTINATION	PART NO.
34, 42, 55, 62	231892
83	231891
50, 89	223236

LAST DESTINATION USED 103

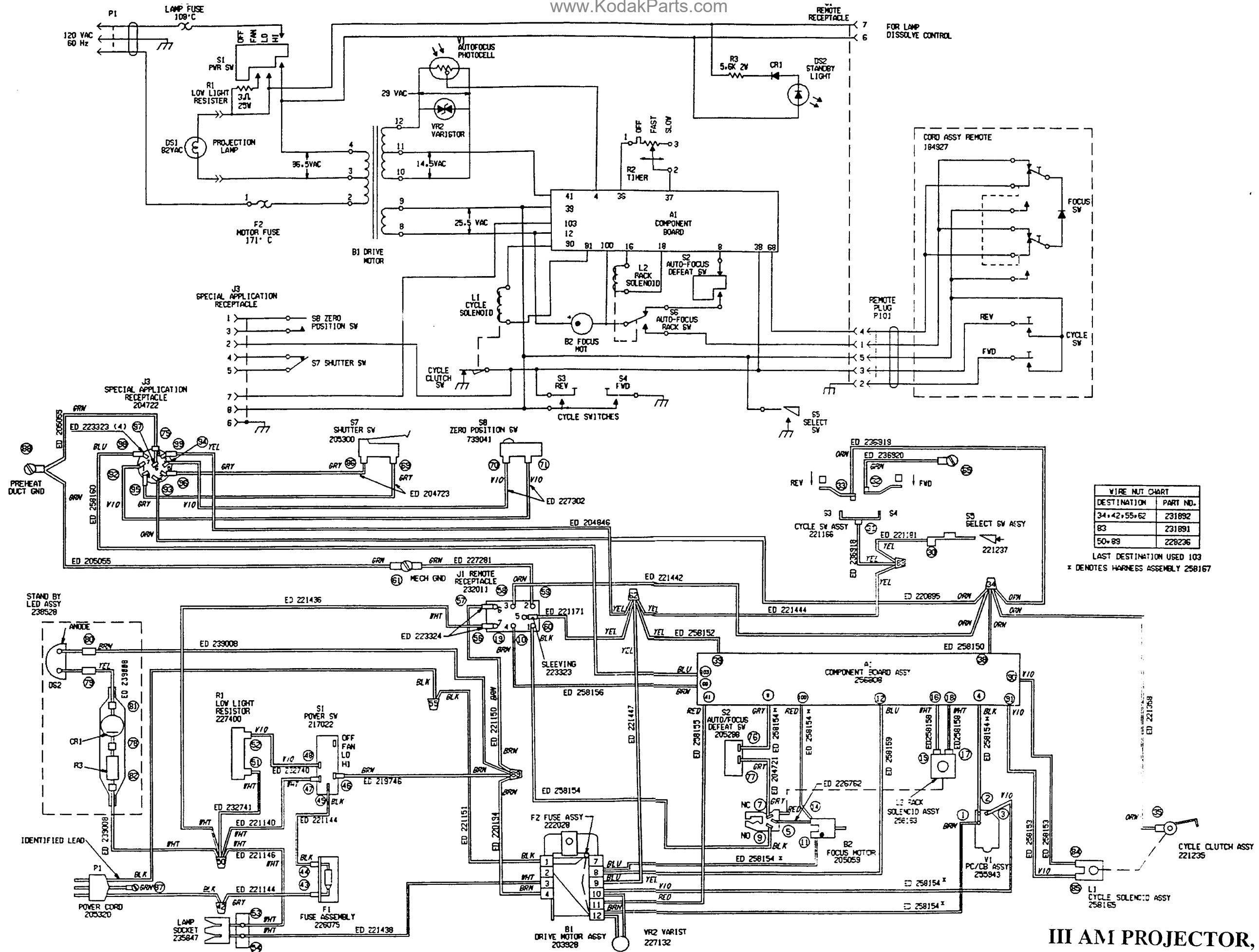


WIRE NUT CHART	
DESTINATION	PART NO.
20, 23, 34, 42, 62, 74	231882
83	231891
90, 89	229236

LAST DESTINATION USED 103



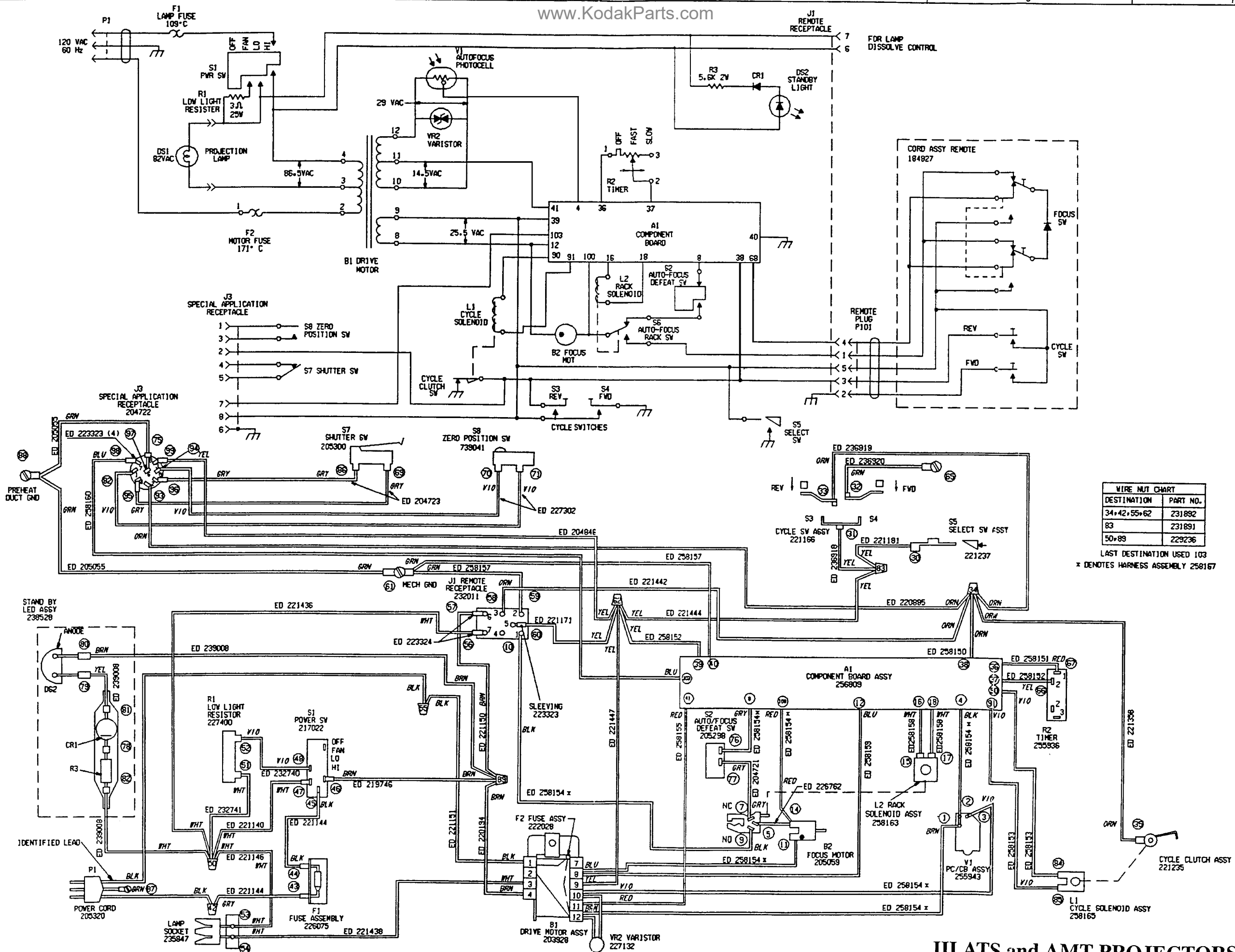


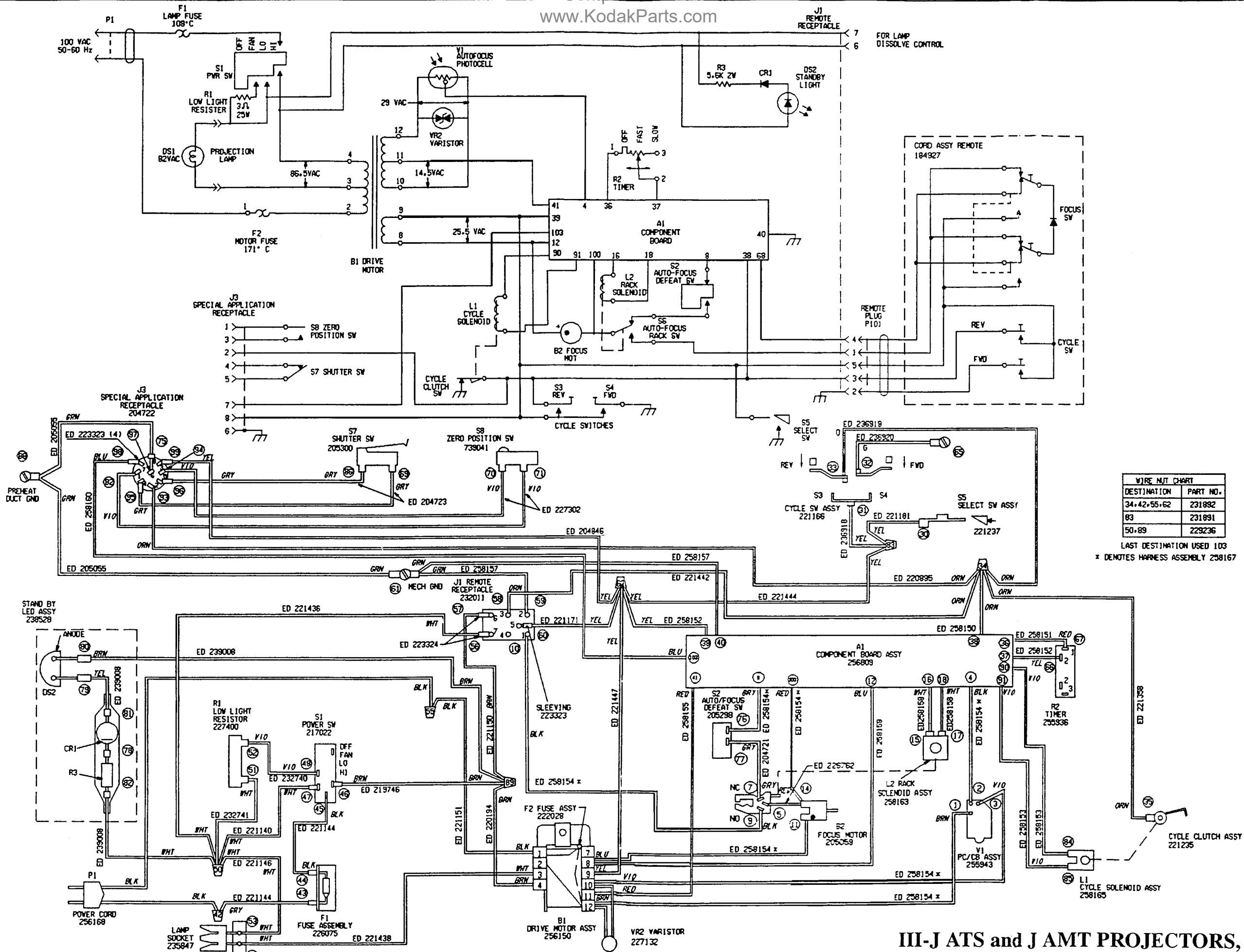


WIRE NUT CHART

DESTINATION	PART NO.
34+42+55+62	231892
83	231891
50+89	228236

LAST DESTINATION USED 103  
\* DENOTES HARNESS ASSEMBLY 258167

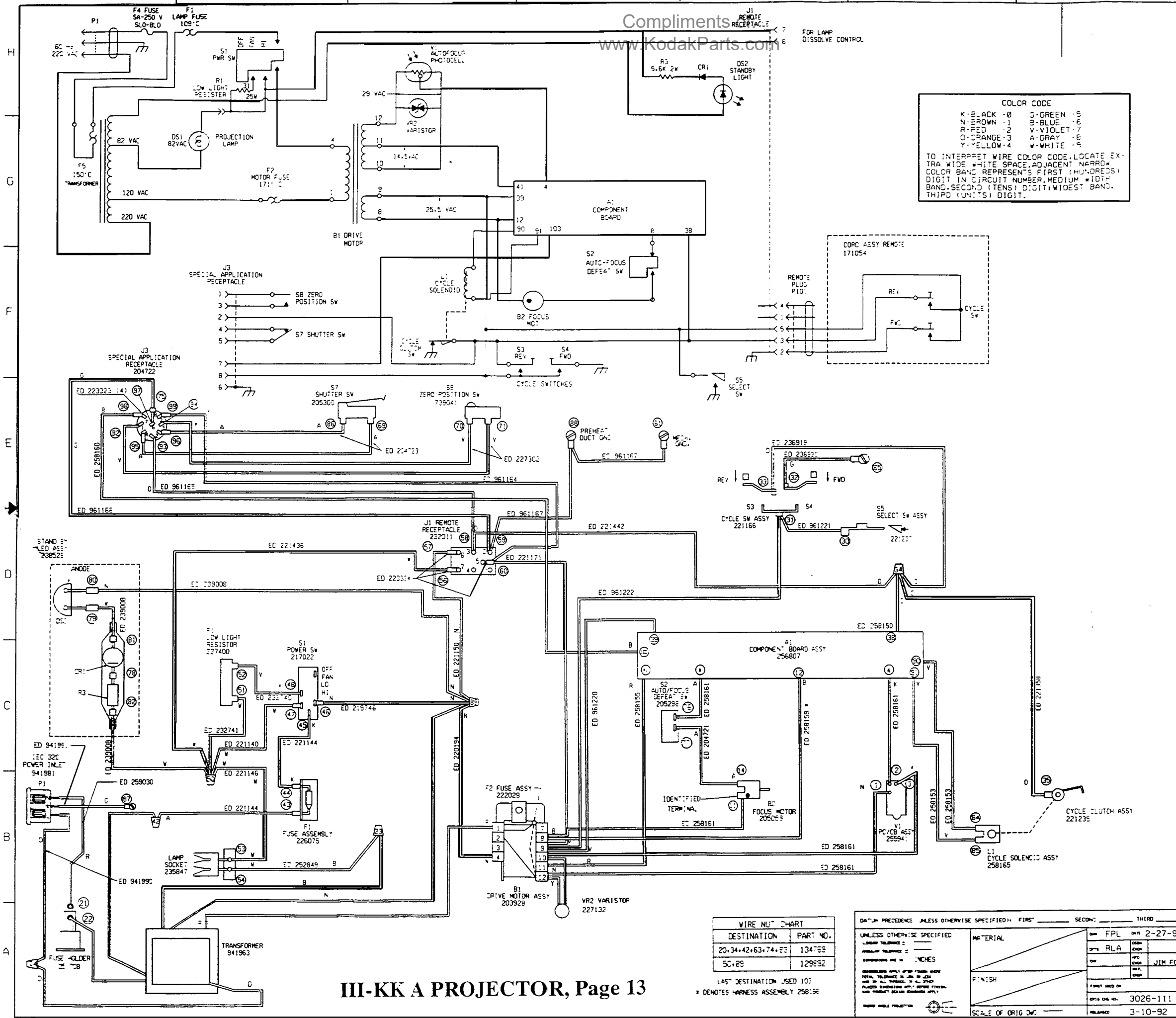




WIRE NUT CHART	
DESTINATION	PART NO.
34, 42, 55, 62	231892
83	231891
50, 89	229236

LAST DESTINATION USED 103  
\* DENOTES HARNESS ASSEMBLY 258167

REV. NO.	DATE	DESCRIPTION	BY	CHKD
3026	AT 8-84	P1 DELINEATION REVISED	JAG	DA
149	AT 7-74	F2 MOTOR FUSE 1711 C ADDED	JAG	DA



DATE INFORMATION: 941967, 149, 84-13, 85/11/192, INTER, C415

THIS IS A COMPUTER GENERATED DRAWING. IT IS OFFICIAL WHEN THE AUTHENTICATED BLOCK IS FILLED IN. THE MASTER COPY IS AUTHENTICATED IN RED.

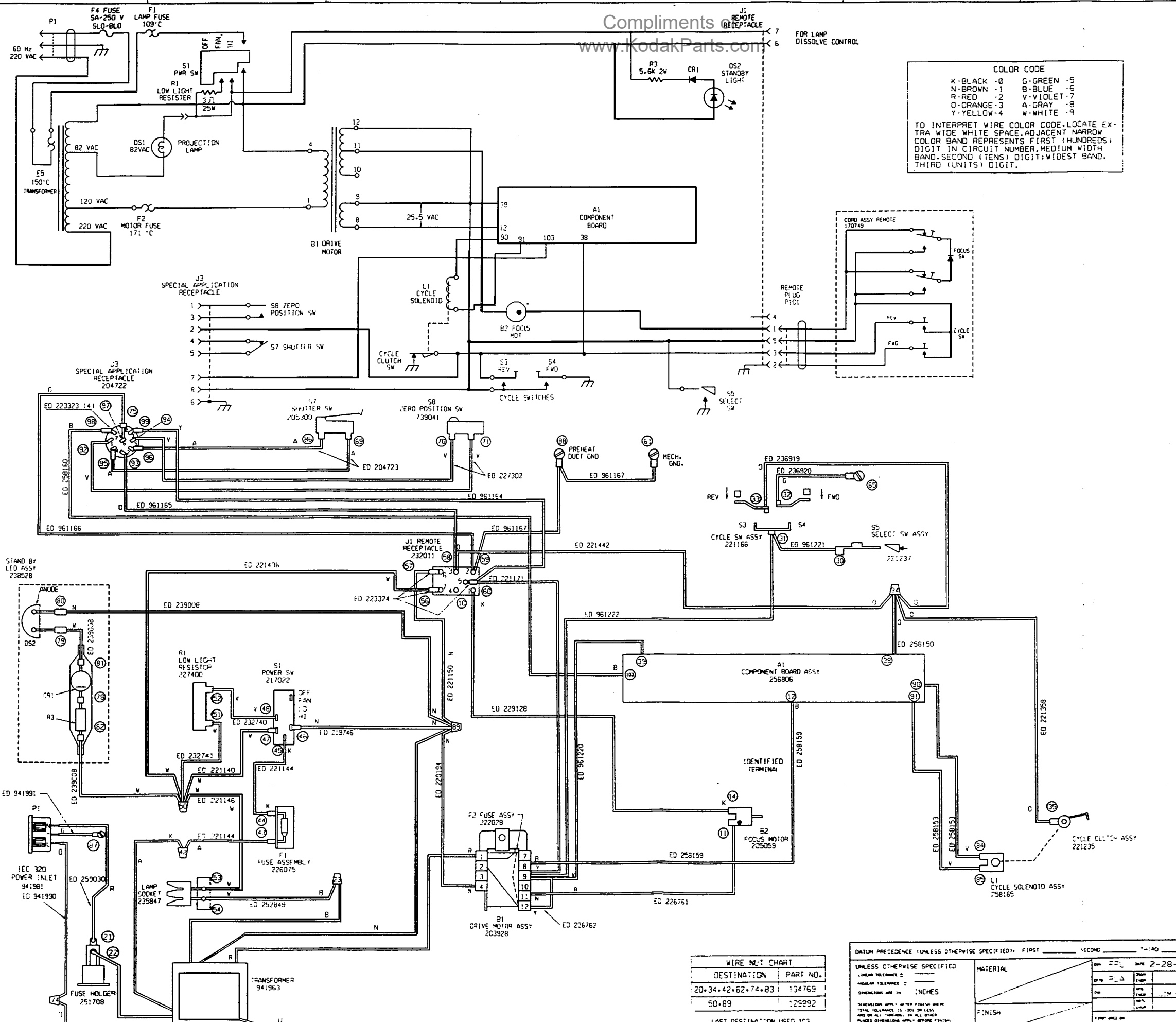
EASTMAN KODAK COMPANY  
KODAK APPARATUS DIVISION  
ROCHESTER, N.Y.

NAME: WIRING DIAGRAM  
MODEL: KK - A

NO. 941967  
SHEET NO. 1 OF 1

COLOR CODE  
 K-BLACK -0 G-GREEN -5  
 N-BROWN -1 B-BLUE -6  
 R-RED -2 V-VIOLET -7  
 O-ORANGE -3 A-GRAY -8  
 Y-YELLOW -4 W-WHITE -9

TO INTERPRET WIRE COLOR CODE, LOCATE EXTRA WIDE WHITE SPACE. ADJACENT NARROW COLOR BAND REPRESENTS FIRST (HUNDREDS) DIGIT IN CIRCUIT NUMBER. MEDIUM WIDTH BAND, SECOND (TENS) DIGIT; WIDEST BAND, THIRD (UNITS) DIGIT.



WIRE NUT CHART

DESTINATION	PART NO.
20+34+42+62+74+83	134769
50+89	128292

LAST DESTINATION USED 103

DATUM PRECEDENCE (UNLESS OTHERWISE SPECIFIED): FIRST SECOND THIRD

UNLESS OTHERWISE SPECIFIED:  
 LINEAR TOLERANCE: ± .005  
 ANGULAR TOLERANCE: ± 1°  
 DIMENSIONS ARE IN INCHES  
 DIMENSIONS APPLY TO THE FINISH SURFACE  
 TOTAL TOLERANCE IS .001 OR LESS  
 AND ON ALL DIMENSIONS, UNLESS OTHERWISE SPECIFIED  
 DIMENSIONS APPLY TO THE FINISH SURFACE  
 AND PRODUCT DESIGN STANDARDS APPLY

MATERIAL	FINISH

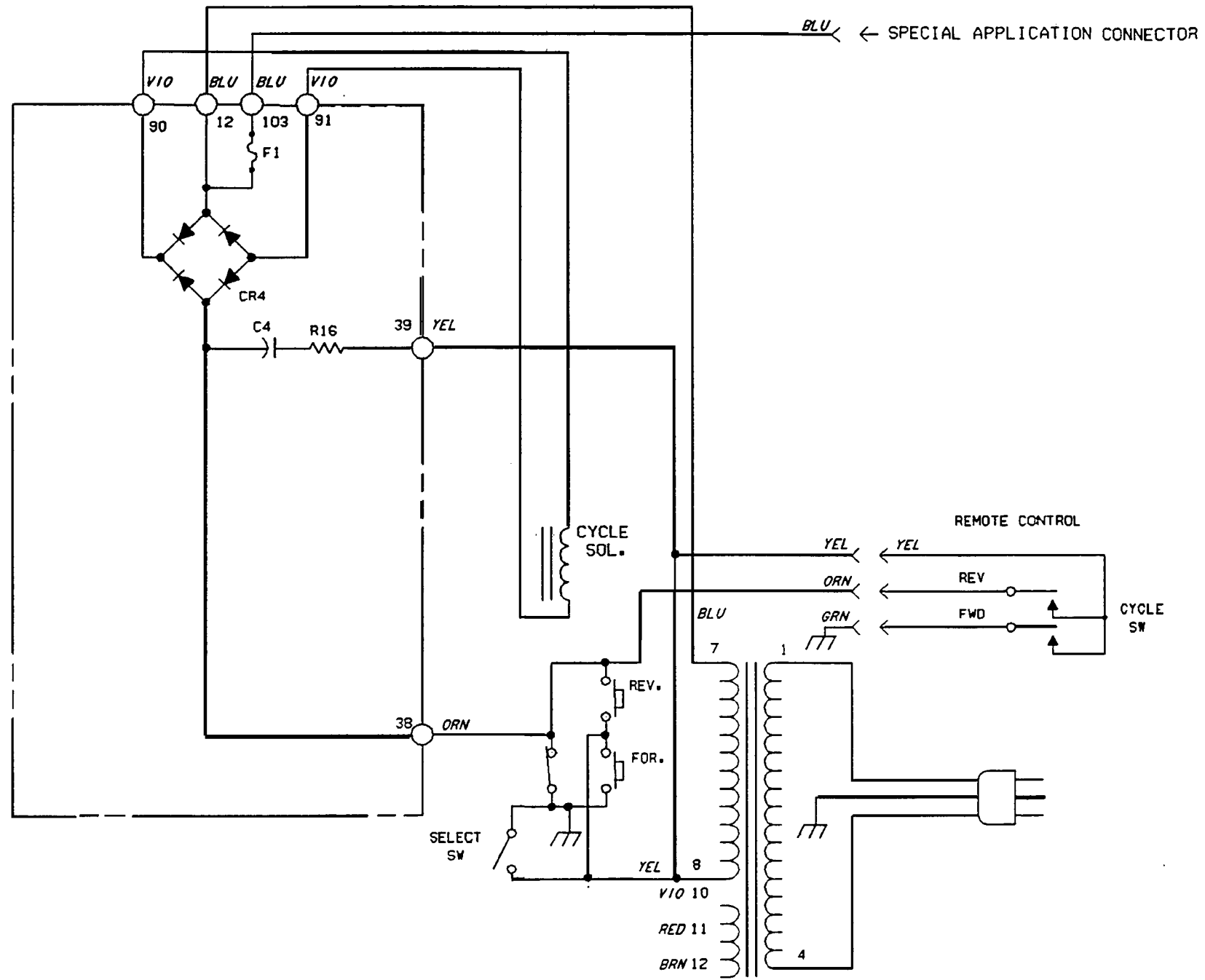
DATE	BY	CHKD	APP'D
2-28-92			

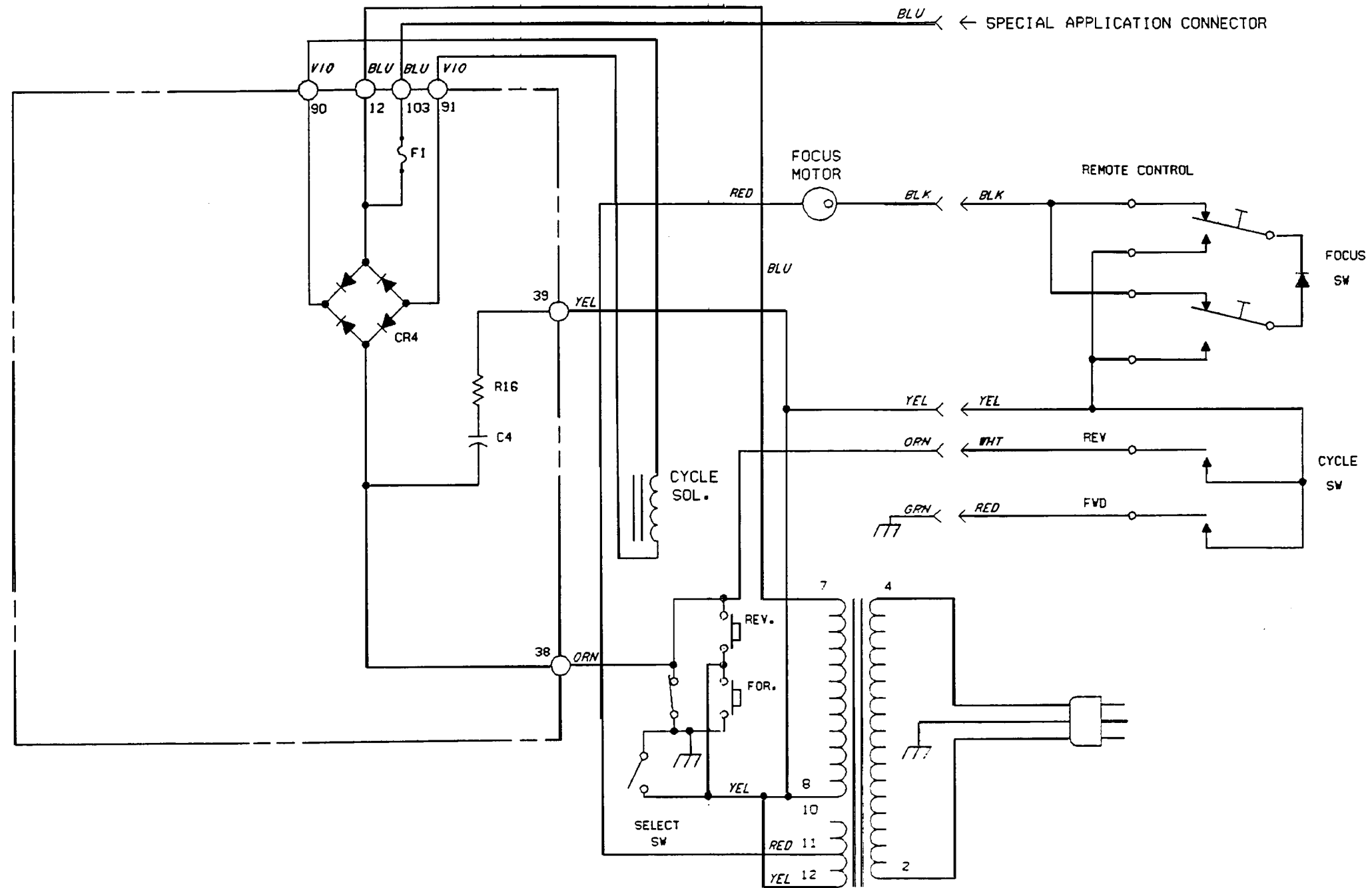
SCALE OF ORIG DWG

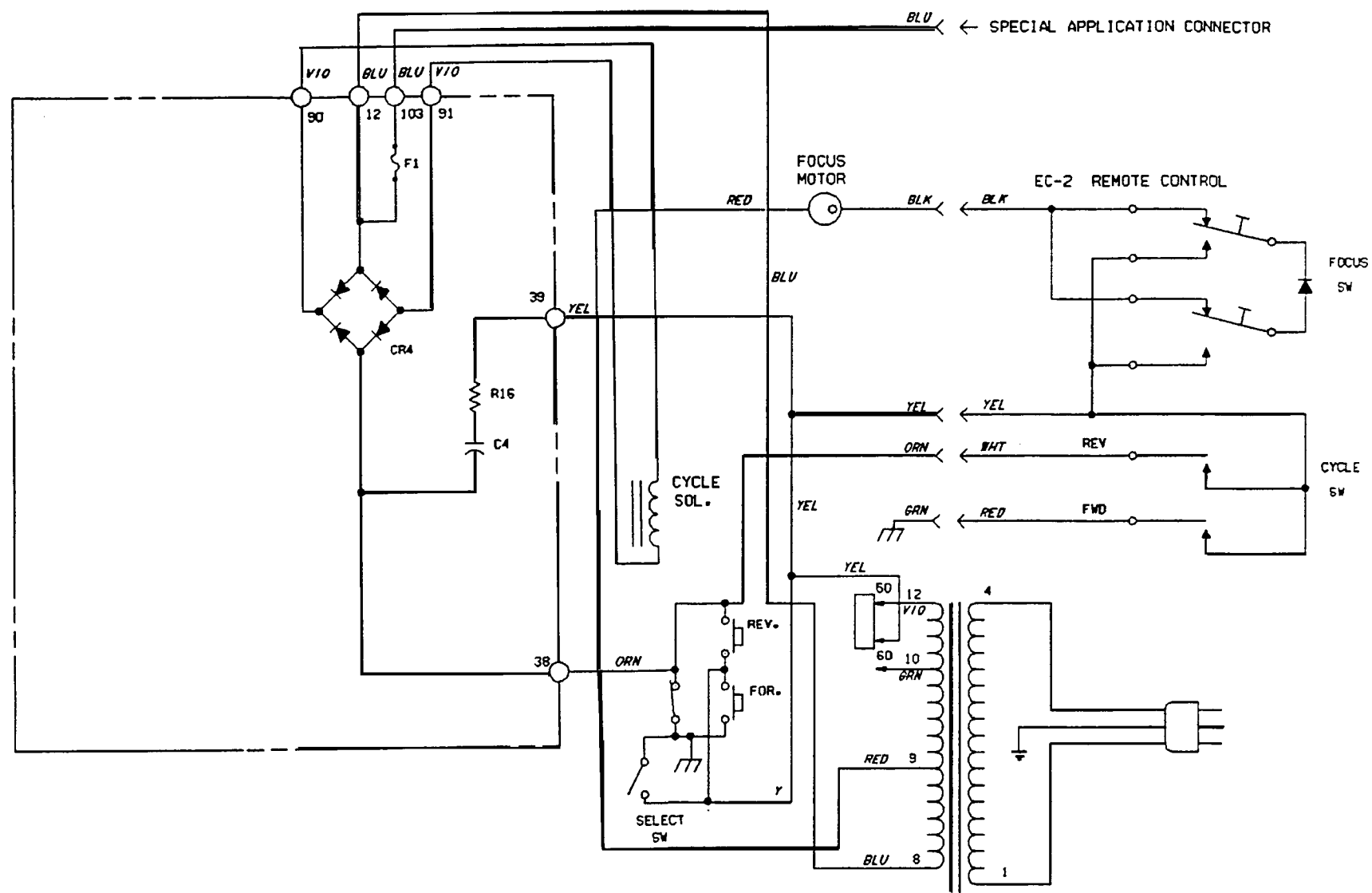
EASTMAN KODAK COMPANY  
 KODAK GRAPHICS DIVISION  
 ROCHESTER, N.Y.

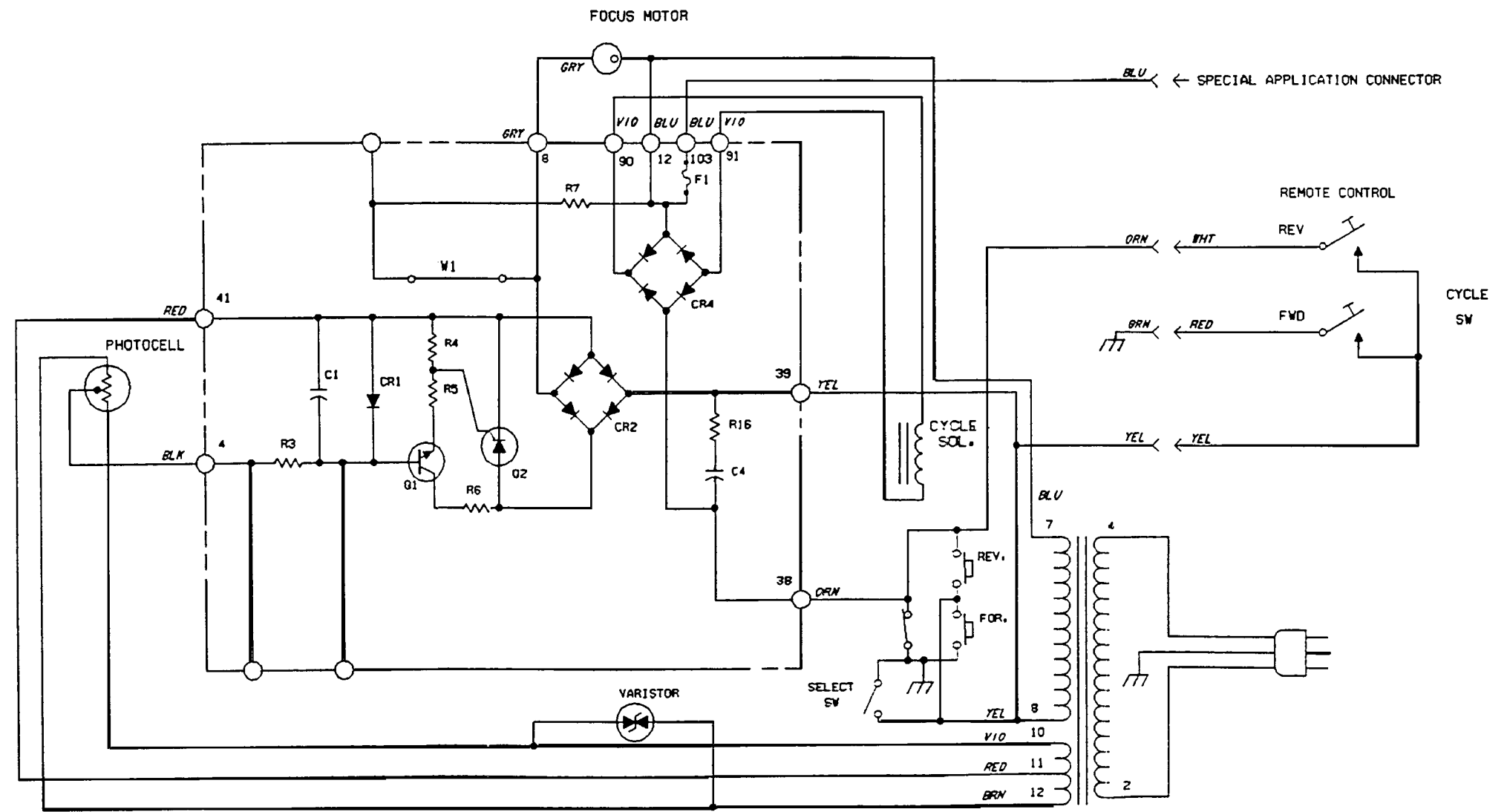
NAME: WIRING DIAGRAM  
 MODEL: K-K PLUS

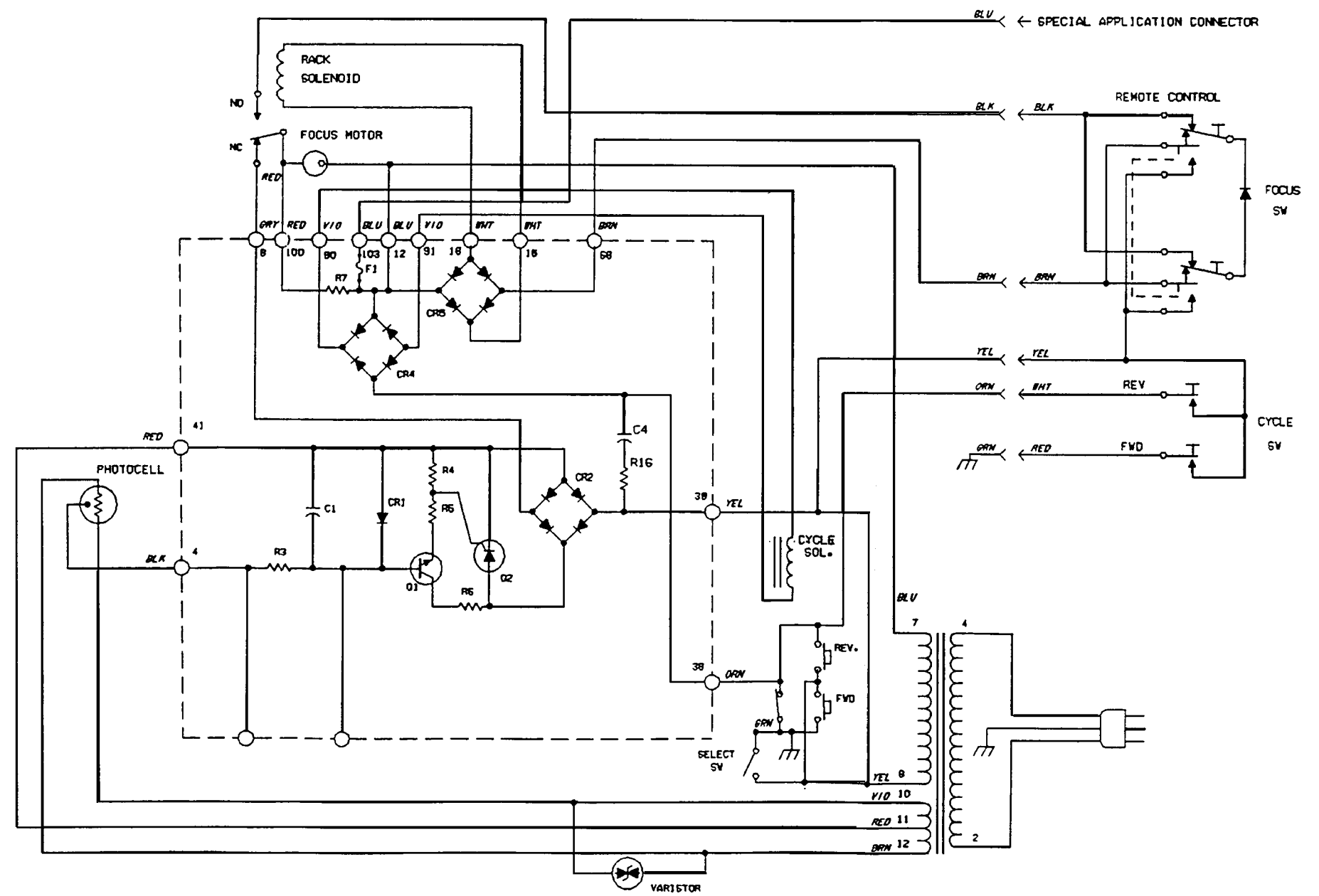
NO. 941968  
 SHEET NO. 1 OF 1

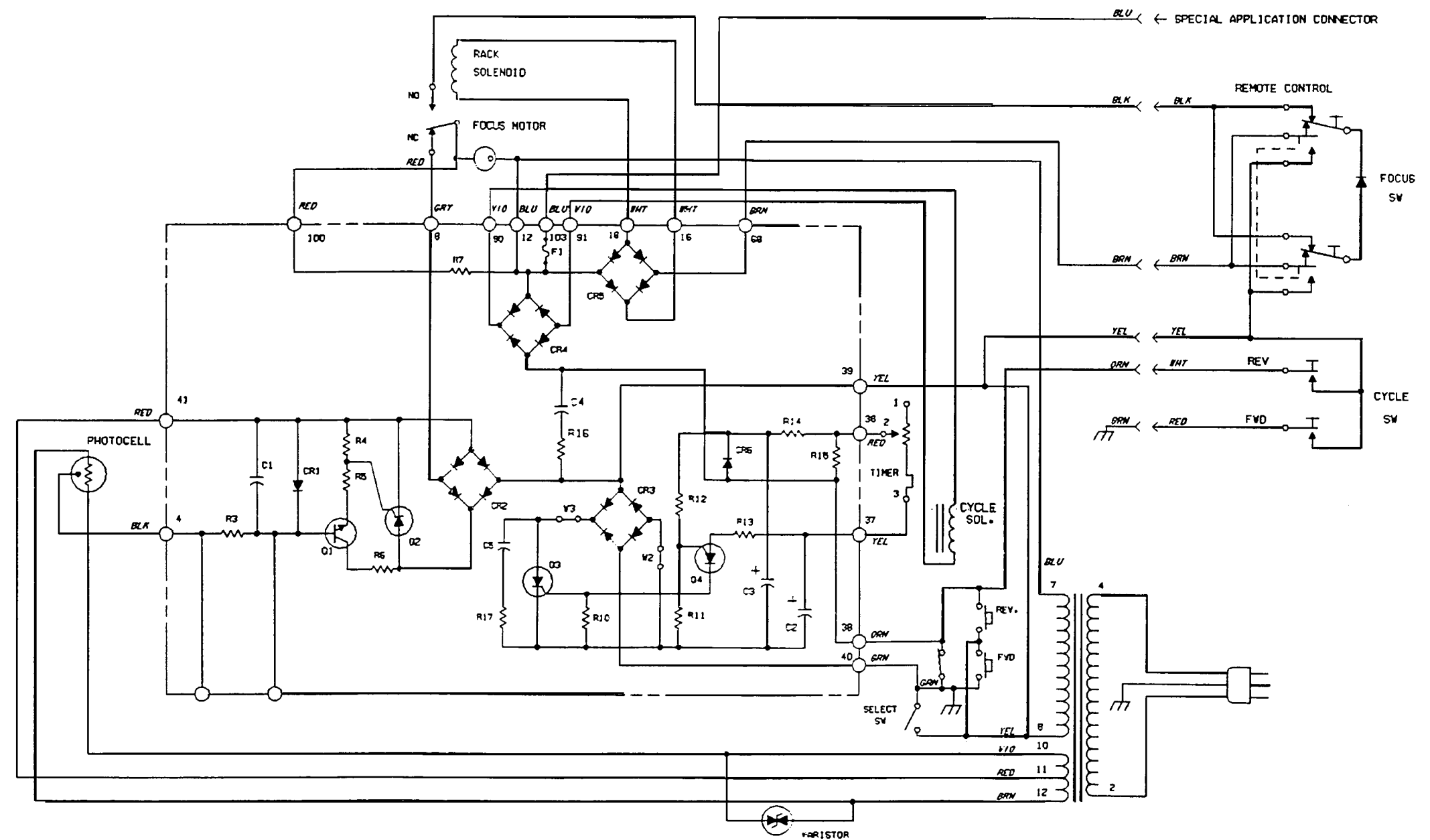


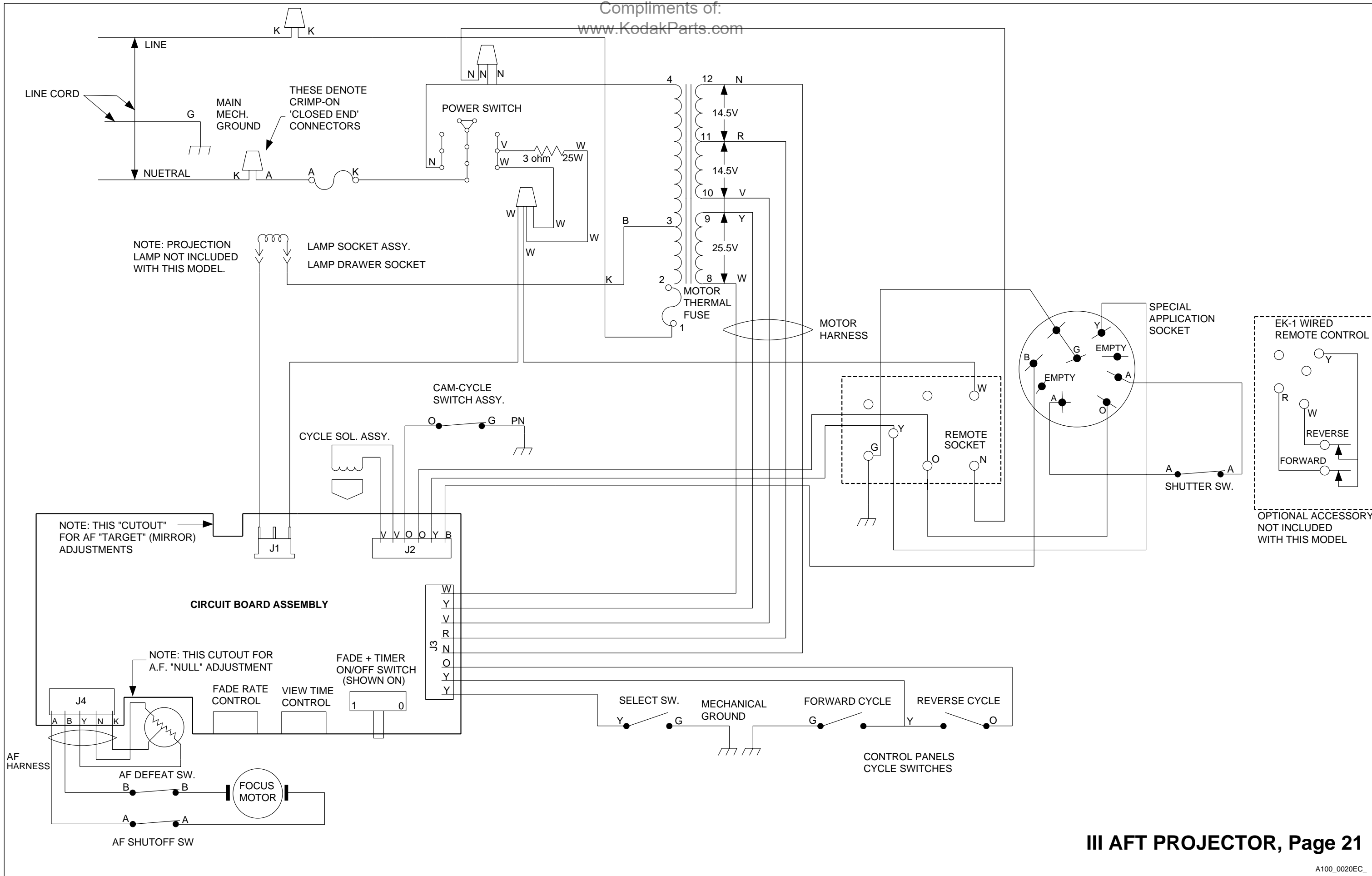












Compliments of:  
**This page is intentionally blank.**  
[www.KodakParts.com](http://www.KodakParts.com)

*Kodak and Ektagraphic are trademarks.*

Printed in U.S.A. • di4530\_1.fm

EASTMAN KODAK COMPANY  
Rochester, NY 14650

**Kodak** Service & Support