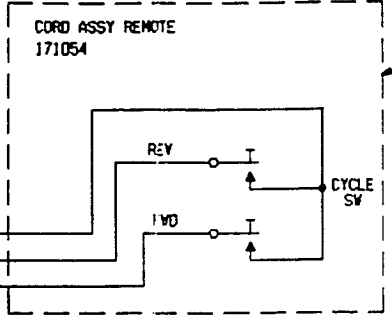


FOR LAMP DISSOLVE CONTROL



FOR REF ONLY
NOT PART OF PRODUCT

WIRE NUT CHART	
DESTINATION	PART NO.
34+42+55+62	231832
83	231891
50+89	229236

LAST DESTINATION USED 103