

FOR KODAK PERSONNEL USE ONLY

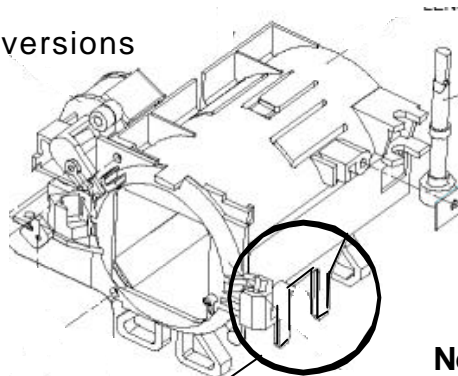
Focus Motor / Lens Mount Repair

Attention: Two versions of Lens Mounts and Focus Motors have been installed. During focussing the lens mount moves forward and reverse. If the lens mount was positioned either totally at the front or rear end, it could happen that the optical system of the Autofocus did not catch the lens mount and did not start to focus the slide. If the lens mount was moved closer to the center position via the focus buttons, the AF did focus the slide.

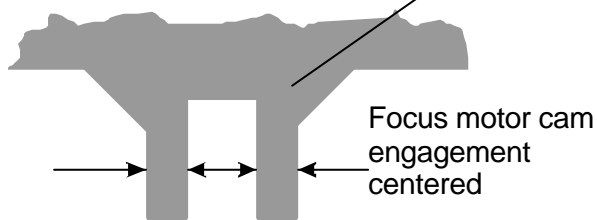
To overcome this problem, the focusing range was reduced from 8 mm to 5,6 mm. Therefore the new lens mount and a new focus motor have been installed in all Ektaprojectors commencing serial number 136317xxxx.


Important: The old focus motor is only compatible with the old lens mount and the new focus motor is only compatible with the new lens mount.

Differentiation of the two versions



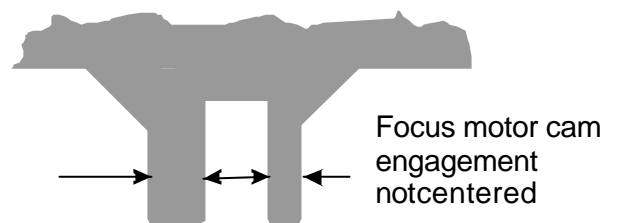
Old Lens Mount
Spare Part Number 6200502
8mm focusing range
before serial no 136317xxxx





Old Focus motor cam
round, 3 mm

Old Focus motor
Spare Part Number 6217344
with round cam
before serial no 136317xxxx

New Lens Mount
Spare Part Number 6200500
With reduced 5,6 mm focusing range
commencing serial no 136317xxxx




New Focus motor cam
excentric, 3,6 mm thickness

New Focus motor
Spare Part Number 6217345
with excentric cam
commencing serial no 136317xxxx