

# TECHNICAL NEWSLETTER EKTAPRO PROJECTORS



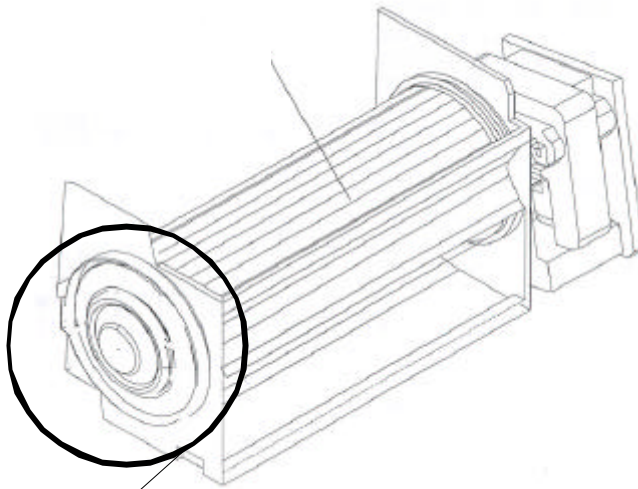
29.Oct. 2003

FOR KODAK PERSONNELL USE ONLY

## Noisy Fan

If the fan gets noisy, in most cases the noise is generated by the fan bearing. Before serial number 130400xxxx a white plastic bearing was installed which sometimes got noisy. Commencing with serial number 130400xxxx a metal ball bearing is installed which does not create noise. The Red End Cap with installed ball bearing is available as a spare part with spare part number G9904591.

## Differentiation of the two versions Old/New



### Old Fan Bearing

Not available as spare part  
Installed prior to serial no  
130400xxxx

### New Fan Bearing

Spare Part Number G9904591  
Installed commencing serial no 130400xxxx  
(June 98)

